



SPECIFICATION FOR PRODUCT

Part name: TERMINAL BLOCK

Part No.: G-UPT-1.5-GY

Customer P/N:

Date: 2023.08.09

Seller Confirmation

Written by	Qunyan.zhang
Checked by	Youndy
Approved by	Eric

Customer Confirmation

Project Audit	
Structure Audit	
Security Certification	
Quality Approval	

Seller: Shanghai Utility Electrical Co., Ltd

Add: 1759# Zhongshan Road ,Shanghai

Tel: 021-61478435 Fax:021-61478103

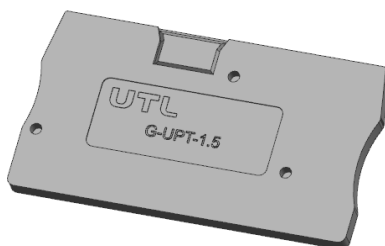
E-Mail: Marketing@china-utl.com

Customer:	Customer P/N:
Seller: Utility Electrical Co., Ltd	Part No: G-UPT-1.5-GY

Revision for G-UPT-1.5-GY

Item No	Edition	Part Revised	Date Revised
1	A	put in file	2023.08.09
2			
3			
4			
5			
6			
7			
8			

1. TYPE: G-UPT-1.5-GY



Naming system:

↵

G - UPT - 1.5 - GY

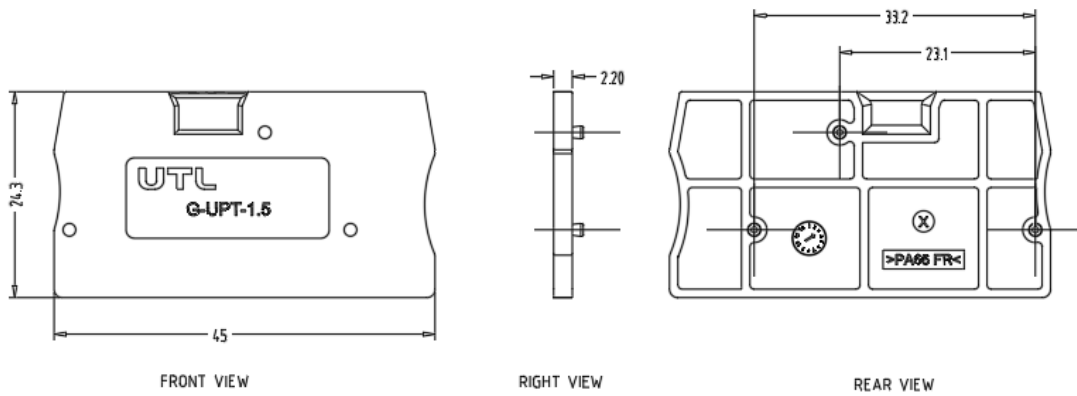
Series

Connecting Capacity

Housing color:gray

↵


2.DRAWING&SIZES



OVERALL SIZES TOLERANCE

> 120 _φ	±0.80 _φ
> 30~120 _φ	±0.50 _φ
> 6~30 _φ	±0.40 _φ
0~6 _φ	±0.25 _φ

3. BOM TABLE

ITEM.	PART NAME	MATERIAL	SURFACE OF CONTACT	QUANTITY (PCS)
(1)	HOUSING	PA66(UL94 V-0)		1

4.WORKING CONDITION:

OPERATING TEMPERATURE: -40℃~+105℃

ALTITUDE: Less than 2000m 40Kpa~80KPa

RELATIVE HUMIDITY: 5%~95%

POLLUTION DEGREE: III

5. PACKAGE: Tightly Sealed